



**ADVENTURE  
FURTHER<sup>®</sup>**

## KC 355-UNIVERSAL TWO LIGHT CYCLONE V2 UNDER HOOD KIT

Cyclone V2 under hood kits illuminate your engine bay with very low AMP draw and are easy to mount no matter what vehicle you own. These universal LED kits come with two Cyclone V2 lights, wiring, weatherproof switch, and hardware.

*WARNING: Please read all instructions before beginning installation. These guidelines are provided in good faith to help prevent any issues arising from errors during installation. The manufacturer of this product shall not be held responsible for any user actions taken or not taken during installation. There are many details of the installation that are assumed to be general mechanical knowledge to experienced installers; which are not detailed in these instructions. These installation guidelines are intended to serve as professional recommendations and are not a step-by-step, fail-safe installation checklist. Selection of an experienced installer is the sole responsibility of the project owner.*

### Parts Included:

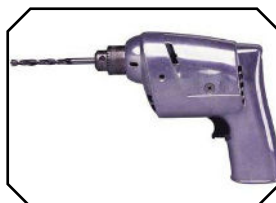
- (2) - Cyclone V2
- (1) - Wire harness with switch bracket and fuse
- (2) - Mounting screws and washers
- (6) - Wire ties
- (5ft) - Protective tubing

### Tools Needed:

#2 Screwdriver



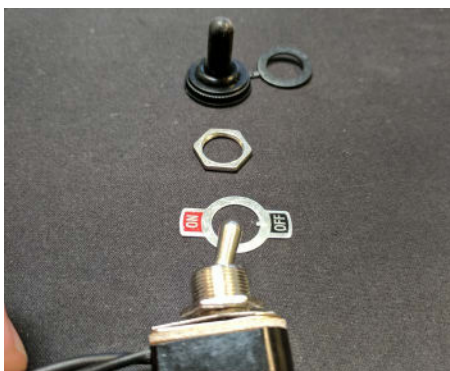
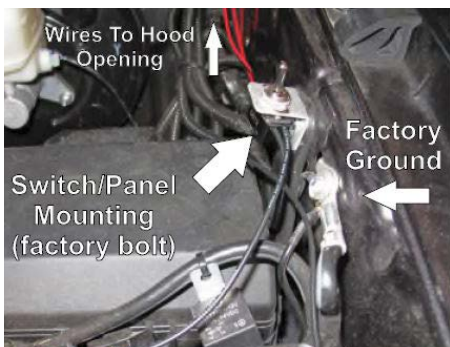
Drill



Wrench



## STEP BY STEP INSTRUCTIONS INSTALLATION



### 1. Mount the switch bracket

Locate an area near the battery or along the fender. Install the switch bracket using the supplied screw by first drilling a 1/8" hole or by finding an existing hole of similar diameter. Use the supplied screw to mount the switch bracket to the side of the engine bay at the desired location.

### 2. Mount the switch

Install the switch using the hardware that is on the neck of the switch. Place the I/O indicator, and nut then torque the nut until tight. Install the switch cover until hand tight.

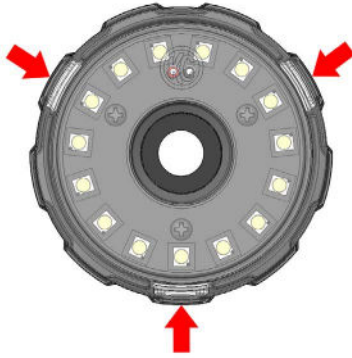
### 3. Mount the Cyclone V2

Drill a 1/8" hole through the hood at the desired location of the cyclones. If possible place a small block of wood behind the location you are drilling to guard against accidentally drilling through the outer hood. When choosing a location keep wire mounting in mind.

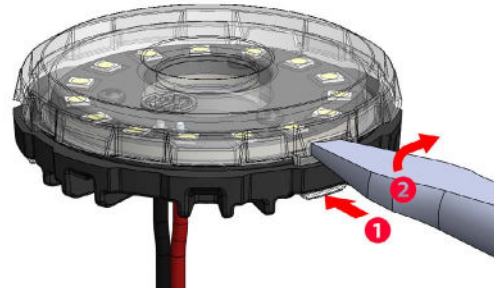
## 4. Connect to the battery

Make sure the switch is set to off. Remove the battery clamping nut with a wrench. The sizes of battery clamping bolts are generally 10mm but may vary by vehicle make and model. Do not remove the bolt. Place the ring terminal on the battery bolt and reinstall the nut to the same torque as when you removed it. Repeat this for the red and black wires. Red goes to the positive (+) battery terminal black to the negative (-) battery terminal. Test the lights.

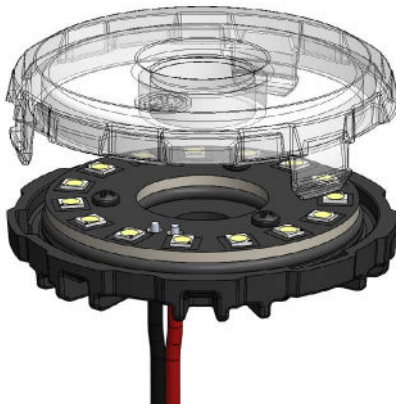
### INSTRUCTIONS TO REMOVE LENS



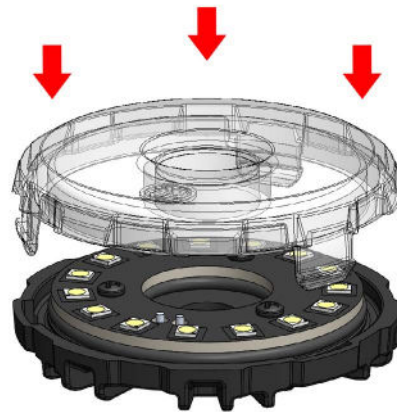
1. Locate the three opening slots.



2. Insert flat head screwdriver and with slight pressure twist the screwdriver.



3. Release and remove lens



4. Press down firmly with equal pressure around the light to snap in new lens. (There should be no gaps between lens and light).

## PRODUCT REGISTRATION

Thank you for becoming part of the KC family and purchasing one of our premium KC products! With over 50 years of history in the auxiliary lighting market, you have become a part of our ever growing family, and we encourage you to register your product online at [HTTP://REGISTER.KCHILITES.COM](http://register.kchilites.com) to ensure you get all the benefits of owning a KC HILITES product.