



WARNING: Please read all instructions before beginning installation. These guidelines are provided in good faith to help prevent any issues arising from errors during installation. The manufacturer of this product shall not be held responsible for any user actions taken or not taken during installation. There are many details of the installation that are assumed to be general mechanical knowledge to experienced installers; which are not detailed in these instructions. These installation guidelines are intended to serve as professional recommendations and are not a step-by-step, fail-safe installation checklist. Selection of an experienced installer is the sole responsibility of the project owner.

6- Cyclone V2

Rock Light Kit Includes:

- (6) - Cyclone V2 LED Lights
(2) -8 ft Extension Harness
(2) - 11.5 ft Extension Harness
(2) - 16 ft Extension Harness
(1) - Power Harness with fuse-block
(4) - Z-Step Brackets
(2) - L-Brackets
(1)-Switch
(1)-Junction Post
(4)-Fuse Block Screws

Hardware Kit Includes:

- (6) - 10” Corrugated Tubing
(6) - M10-X20MM Cap Screw
(6) - M10-1.5 Nyloc Nut
(12) - Screw-On Zip Ties
(16) - No.8 Self Tapping Screws

Tools Needed:

- 1. Drill with Phillips Extension
2. Phillips Screw Driver
3. Metric Allen Key Set
4. Metric Socket Set
5. Wire Cutting Pliers

INSTRUCTIONS INSTALLATION

Fuse-Block & Neg. Junction Mounting

Find an appropriate location for the Fuse-Block, within 12” of a common ground near the power source. Using the (4) Fuse-Block Screws, and (2) No.8 Self Tapping Screws, carefully secure both Fuse-Block and (Ground) Junction Post within close proximity of one another. **Remove the supplied fuses until the rest of installation is completed**

Cyclone V2 Location Installation & Bracket Assembly

- 1. (IDENTIFY) the desired mounting locations for each Cylone V2. Ideally, the Cylone V2s would be positioned free from light-obstruction, damage from road debris, and where it will not be sheered off.
2. (OPTIONAL) For convenience, KC has supplied (4) Z-STEP and (2) L-BRACKETS to help facilitate a clean installation; custom brackets might be required on certain applications.
3. (CYCLONE V2 TO KC-BRACKET ASSEMBLY) Using the supplied M10 Cap Screw & Nylock Nut, attach a KC Cyclone V2 #135X using the 10mm hole in the bracket - the Cyclone V2-Bracket Assembly can now be mounted to any flat surface. Make sure to mount the assembly with the wire leads directed towards the subframe to reduce the risk of the wires getting caught on anything.

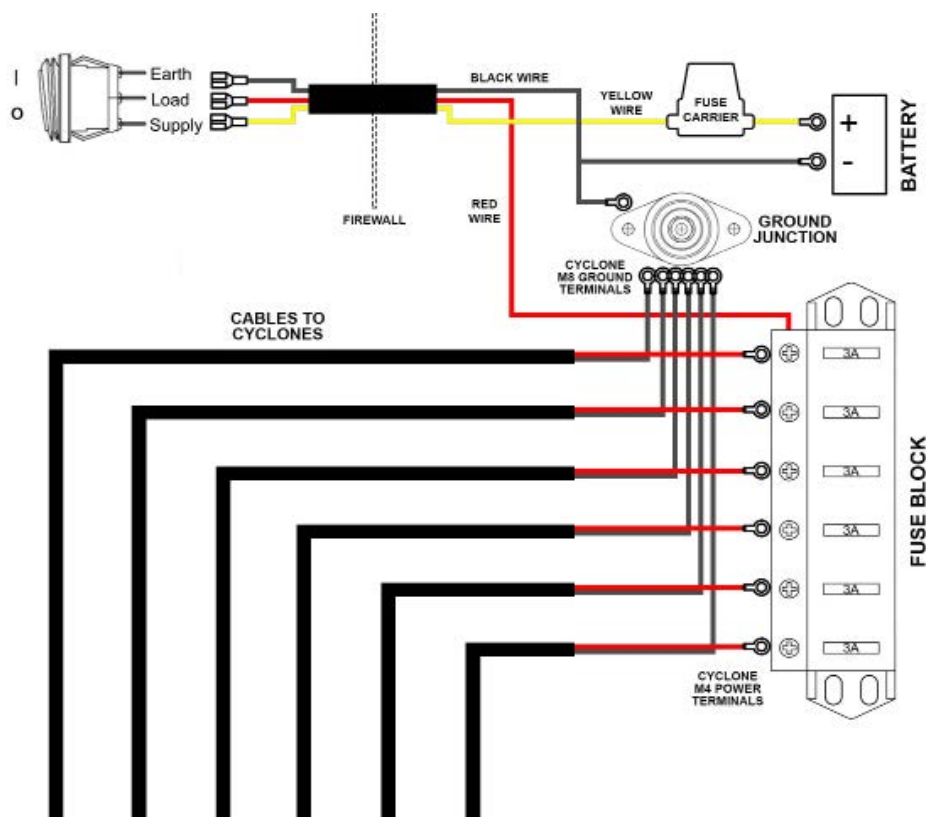
Extension Harness Installation

Identify the Extension Harness that is going to be paired with the corresponding Cyclone V2s. 8FT Ext. Harness (Front), 11.5FT Ext. Harness (Middle), and 16FT Ext. Harness (Rear).

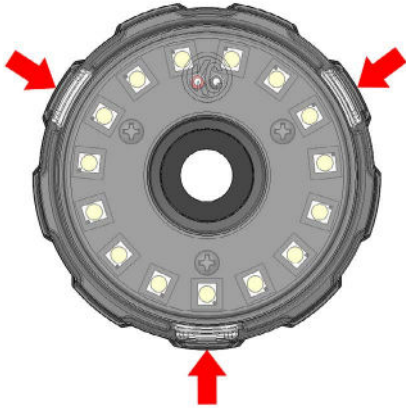
1. Using a Philips Screw Driver, attach the Extension Harness(s) Spade-Terminal End to the Fuse-Block, with the Bullet Terminal End going to the Cyclone V2s.
2. When routing the Extension Harness(s), use the supplied screw-on zip ties & self-tapping screws, making sure to fix the harnesses away from moving or hot parts - following the route of factory wire looms is a good practice. (Additional wire-ties may be required for a cleaner installation.)
3. Connect bullet terminal(s) to each Cyclone V2, using the provided corrugated tubing to cover any excess leads to prevent environmental damage.
4. Secure any loose/excess wiring to prevent damage.
5. Connect the Fuse-Block (+) Power to the battery and (-) Ground the harness to the battery or chassis.

Switch Harness Installation

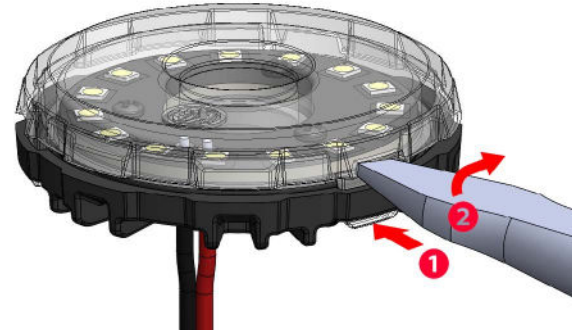
1. Find a suitable location inside the passenger compartment for your SWITCH and then install by drilling a 3/4" hole.
2. Attach the ring terminal of the YELLOW wire to the (+) Positive side of the BATTERY (or 12V power source).
3. Attach one of ring terminals of the BLACK wire to the (-) Negative side of the BATTERY and the other to the GROUND JUNCTION.
4. Route the switch-end of the harness along the factory wire loom, through the firewall, into the vehicle toward the switch location. Once the wires are inside the vehicle near the switch, ensure that the Switch is in the Off Position, then attach the RED wire to the switch terminal marked LOAD. Attach the YELLOW wire to the switch terminal marked SUPPLY. Attach one end of the BLACK wire to the switch terminal according to the diagram below.



INSTRUCTIONS TO REMOVE LENS



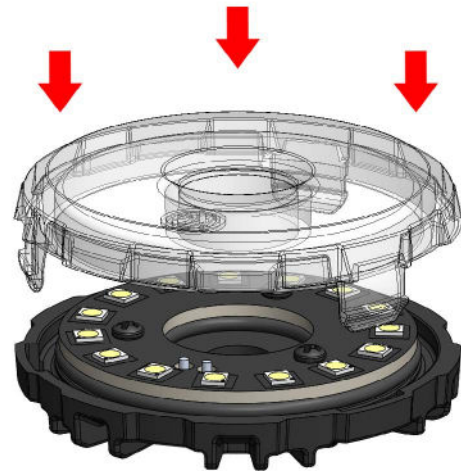
1. Locate the three opening slots.



2. Insert flat head screwdriver and with slight pressure twist the screwdriver.



3. Release and remove lens



4. Press down firmly with equal pressure around the light to snap in new lens. (There should be no gaps between lens and light).

PRODUCT REGISTRATION

Thank you for becoming part of the KC family and purchasing one of our premium KC products! With over 50 years of history in the auxiliary lighting market, you have become a part of our ever growing family, and we encourage you to register your product online at [HTTP://REGISTER.KCHILITES.COM](http://register.kchilites.com) to ensure you get all the benefits of owning a KC HILITES product.